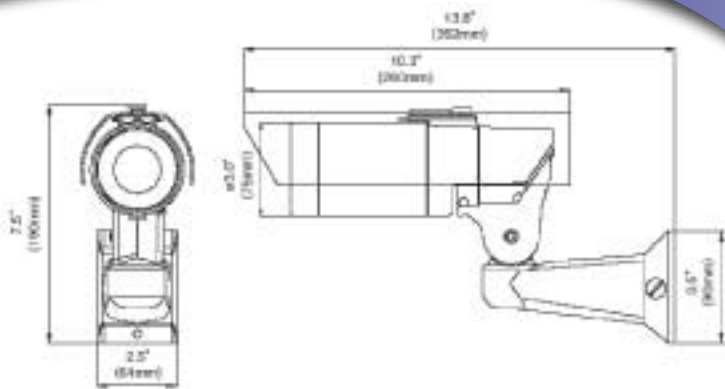


Pre-Built Outdoor Series Cameras



- Color outdoor camera with SONY 1/3" Super HAD CCD sensor
- Weatherproof housing (IP66) with heater and blower
- Day/night function for a cleaner low light picture
- Built-in Varifocal type DC-drive auto iris lens
- Adjustable sun-shade
- Furnished with 1.2m (4') cable for power and video
- 12VDC or 24VAC operation
- Easy to install & easy to use
- Prewired with power and coax cable
- Concealed bracket for cable entry



Model No.	RB358 / RB358H	RB550 / RB550H
Image Pick-up Device	SONY 1/3" Super HAD CCD sensor	
Effective Picture Elements	NSTC: 768 X 494, PAL: 752 X 582 (HxV)	
Horizontal Resolution	480 TV lines	
Minimum Illumination	0.5 LUX	
S/N Ration	More than 48dB	
Auto Iris Control	DC Drive Iris Control	
Gamma Characteristic	0.45	
Lens Furnished	3.5 - 8mm varifocal F1.4	5 - 50mm varifocal F1.6
Angle Field of View	70° ~ 33° Horizontal	54° ~ 5.6° Horizontal
Auto Gain Control	High/Low switchable	
White Balance	Auto (Low/High Switch)	
Back Light Compensation	ON/OFF switchable	
Synchronous System	Internal, Negative sync.	
Video Output	1 Vp-p / 75 Ohms.	
Power Requirement	12VDC / 24VAC (auto sensing) +/- 20%	
Power Consumption	12VDC: 5W (400mA) / 24VAC: 17W (700mA) heater operates at 24VAC only	
Operating Temp.	-40°C - 50°C (-40°F - 122°F)	
Weight	2.8 kg (4.8lbs)	
Dimensions	See Above	



5327 Cedar Creek Drive, Kemp, Texas 75143
 Toll Free: 1-866-301-CCTV • Phone: 903-498-3240 • Fax: 903-498-8989
 website: www.rugged-cctv.com • email: techsupport@rugged-cctv.com