

# TRU-SCENE

TRU COLOR HI-RES VARIFOCAL

MODEL#: RGDN-49



Used with Sony Super HAD CCD and its DSP technology, these cameras reproduce extremely clear color images at a resolution of 500 TVL.

The image instantly changes from Color to B/W at 5 lux automatically, and its horizontal resolution at night is increased up to 560 TVL.

The external zoom and focus knob enables customers to control zoom/focus simply by hand externally. The unit has passed the IP67 testing and guarantees interior moisture, condensation-free picture in any harsh weather condition.

## Features include:

### Mechanical

- Day/Night Camera - Color in the day, B/W at night
- Perfect Weatherproof (IP67)
- External lens adjustment
- 4-9mm Varifocal Lens

### Electrical

- Automatic image conversion from Color to B/W (True DN)
- Extremely High resolution of 500 TVL (Color) to 560 TVL (BW)
- Very accurate color reproduction
- 1/3" Super HAD Color CCD sensor
- Power surge protection built-in
- Intelligent IR Protection technology built-in (IIRP)
- 12VDC

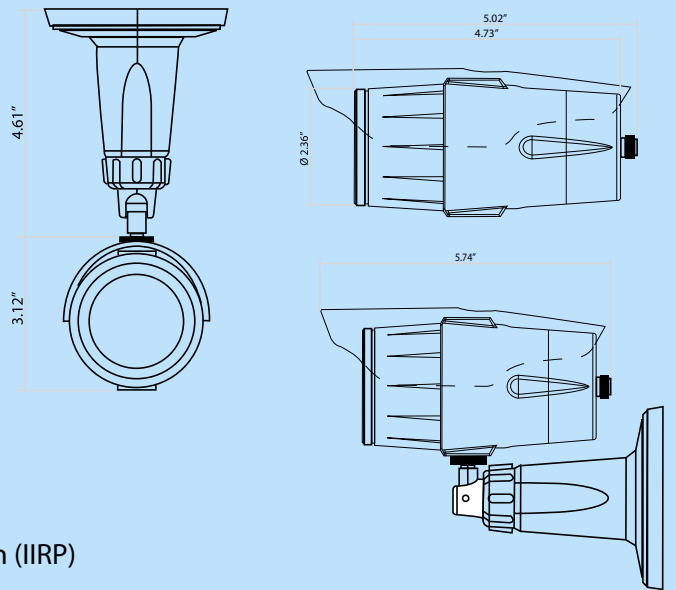


Image Sensor	1/3" High Resolution Color Super HAD CCD (SONY)
Resolution	500TV Lines
Effective Pixels	NTSC: 768(H) x 494(V) PAL: 752(H) x 582(V)
Synchronizing system	Internal
Scanning system	NTSC: 525 Lines PAL: 625 Lines 2:1 Interlaced
Video output	1.0Vp-p Composite 75 Ohms
S/N Ratio	More than 50dB (AGC Off)
Min. Illumination	0.1 Lux at F1.6 (AGC Max) / 0.3 Lux at F1.6 (AGC Nor)
Shutter Speed	NTSC: 1/60 - 1/100,000 sec PAL: 1/50 - 1/100,000 sec

Gamma correction	Standard r=0.45
White Balance	Auto 2100°K - 9100°K
Gain Control	Auto, 0dB - 32dB
Smear Effect	0.005%
Power source	DC12V
Operating current	120mA
Lens	4-9mm Varifocal DC Iris Lens
Humidity	Within 90% RH
Measurement	5.02 (L) x 2.36 (D)
Weight (approx)	2.20 lbs

**Toll Free: 866-301-CCTV**

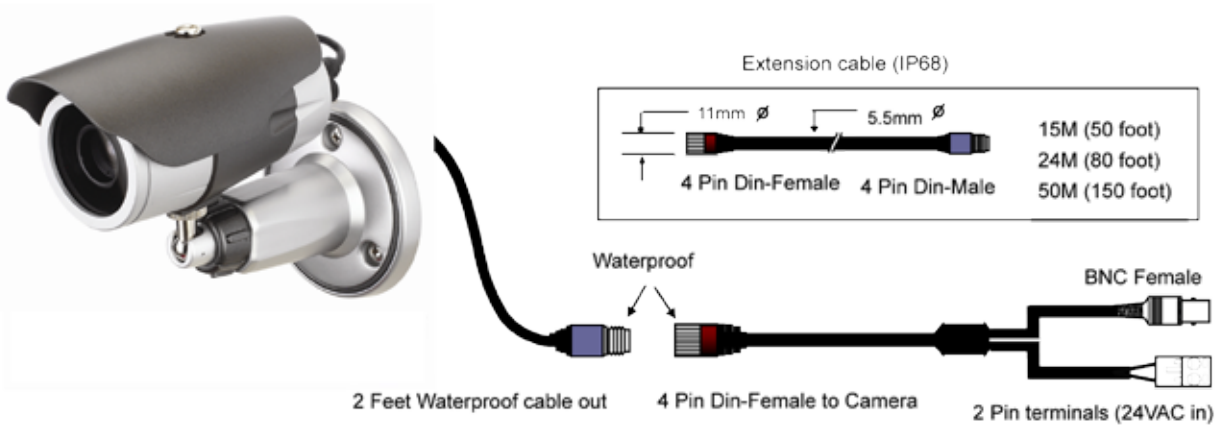


# Car Wash Cameras.com

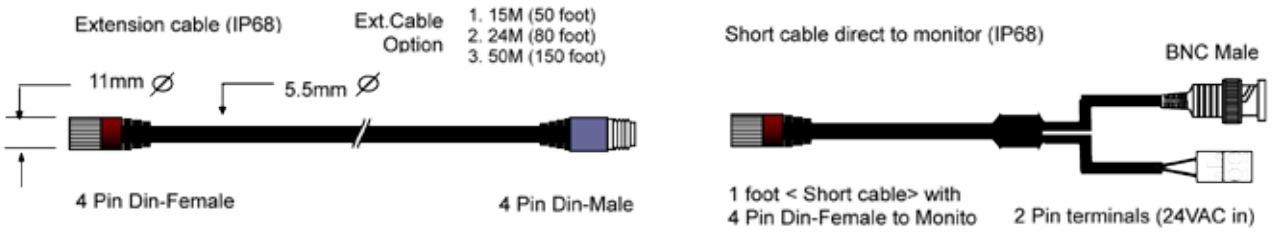
A Division of Rugged CCTV



**Dimension (mm) & Wiring** (Waterproof cable configuration)



**Cable Option**



**Rear View**

