

# 550icm

Hi Resolution Indoor Ceiling Mount

## Super Hi Resolution Indoor Dome

### New Minute Mount Feature

Takes just 1 minute to mount

+

2 screws and you're done!!

Easy Mount/ Easy Connection

## No camera is simpler!

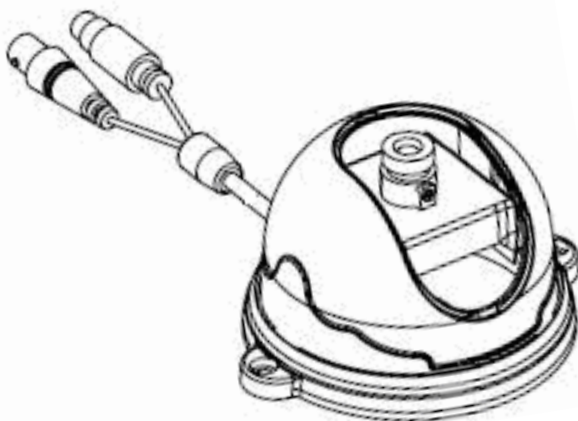
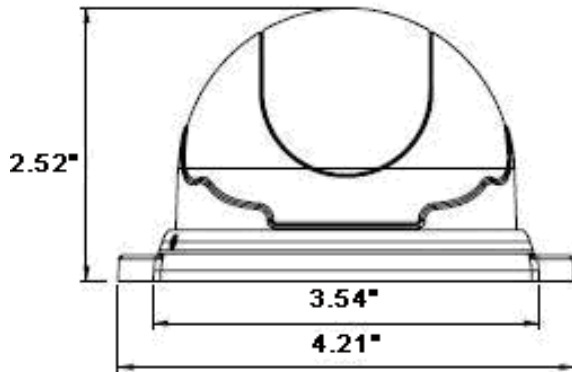


*White color blends in with any ceiling!*

### Specifications:

FC CE

| Signal system         | NTSC   | PAL |
|-----------------------|--|-----|
| Image Sensor          | Opsie Sensor   |     |
| <b>Electronic</b>     |  |     |
| Sync system           | Internal   |     |
| Horizontal resolution | 550 TV Lines   |     |
| Lens                  | f=3.6mm, F2.0  |     |
| Auto White Balance    | Auto (2500°K to 9500°K)  |     |
| Electronic Shutter    | Auto   |     |
| Aperture              | Auto   |     |
| AGC                   | Auto   |     |
| BLC                   | Auto (1/3 center)  |     |
| Minimum illumination  | 0.01 lux   |     |
| S/N Ratio             | > 52dB   |     |
| <b>Power supply</b>   |  |     |
| Power requirement     | DC12V±10%  |     |
| Power Consumption     | 0.65W (max)  |     |
| <b>Environment</b>    |  |     |
| Operating temperature | - 10°C ~ 50°C (14 °F ~ 122 °F)   |     |
| Operating humidity    | 90% RH   |     |
| Storage temperature   | - 20°C ~ 60°C (-4 °F ~ 140 °F)   |     |
| <b>Mechanism</b>      |  |     |
| Easy adjustment       | External 350° pan direction rotation,<br>75° tilt direction adjustment |     |
| Dimensions (D X H)    | 4.21 inches x 2.52 inches  |     |



 **RUGGED CCTV**

201 North Elm Street, Kemp, Texas 75143

Toll Free: 866-301-CCTV • Phone: 903-498-3240 • Fax: 903-498-8989

www.rugged-cctv.com • sales@rugged-cctv.com